

Redland *Ambi-Dry Interlocking Verge*

FIXING INSTRUCTIONS

Preparatory Work/Underlay

It is important that the exterior brickwork or blockwork should be flush with the top of the rafter or counter batten. Lay underlay in the normal manner allowing minimum 10mm overhang at each verge.

Ambi Verge Dry Verge Bag Contents

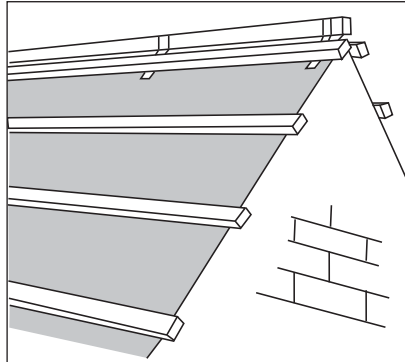
10 Ambi-Dry Verge Units
10 Ambi-Dry Verge Clips

Eaves/Ridge Pack (available separately)

Bag Contents

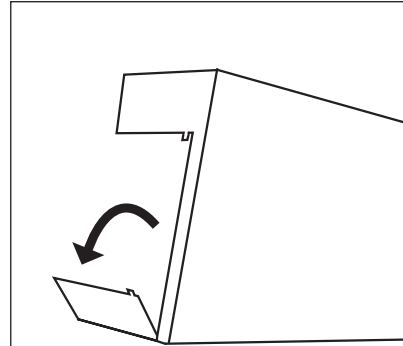
1 Eaves Closure Unit
1 Ambi-Dry Eaves Clip
1 Ridge Comb Unit
1 Ridge Clip
2 Stainless Steel Annular Ring Shank Nails

Ambi Verge Dry Pack		Eaves Closure Pack
Roof Type	Code	Code
Cambrian	9570	9491
Richmond*	9573	9487
Stonewold II	9576	9495



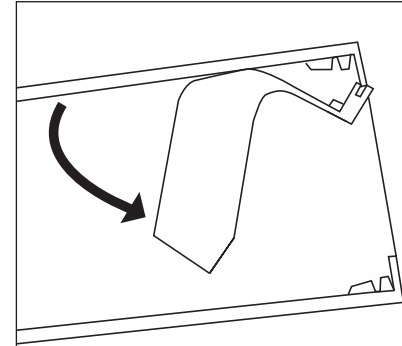
1. Battening / Setting Out

The tiling battens should end in a perpendicular line and extend 50mm beyond the outer edge of the brickwork or bargeboard. Set out the rest of the roof in the normal manner.

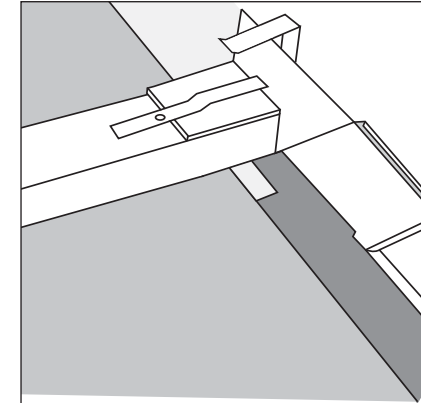


2. Verge Units

Snap off the bottom upstand return portion of the Verge Unit to form either left or right hand units. The portion to snap is indicated on the inside of the Verge Unit. (The drawing shows a right hand unit being prepared.)

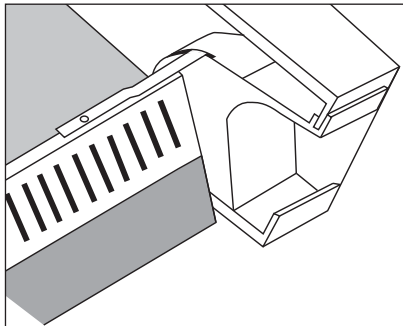


3. Eave Position the Eaves Closure Unit in a Verge Unit as shown, with the face printed 'TOP' towards the downstand which has not been snapped off. Ensure the slot of the Eaves Closure Unit engages into the downstand of the Verge Unit, and slide forward until it clicks into position.

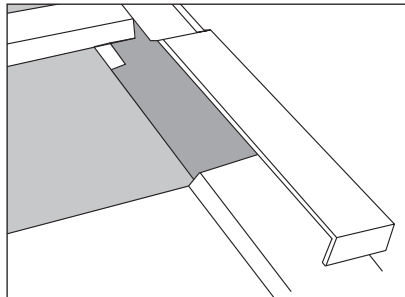


4. Verge/Eave Unit

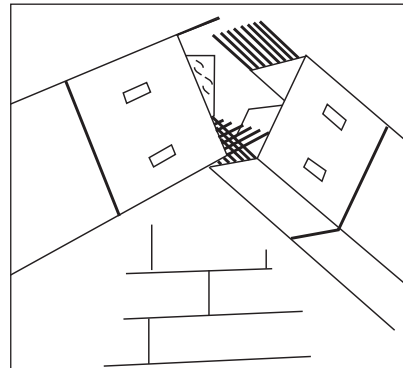
Position the Verge/Eaves Unit in place ensuring the tiling battens fit in the box section of the Verge Unit. Push an Ambi-Dry Verge Clip through the upper slot on the side of the Verge Unit and fix to the batten using a 25mm long galvanised clout nail.



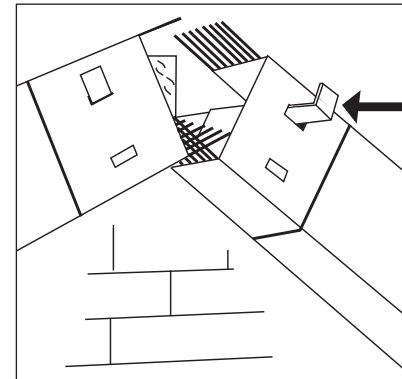
5. Eaves Clip The Eaves Clip is positioned into the slot in the Eaves Stop End and nailed to the fascia using 25mm galvanised clout nails, ensuring the unit is tight against the verge. (If using Redland Redvent Eaves Ventilation System, nails should be a minimum of 50mm long.) The unit is held securely against the clip when the eave tile is laid.



6. Laying the Verge Subsequent units are offered up ensuring the downstand of the Verge Unit is below the clip. The Verge Unit is then slid over the unit below. It is important to ensure the lugs engage top and bottom and the box section fits over the batten. The unit is secured with an Ambi-Dry Verge Clip. The rest of the verge is completed in a similar manner. The verge can be fixed either prior to or during tiling. Install the tiles into the Verge Units, cutting verge tiles only where necessary.

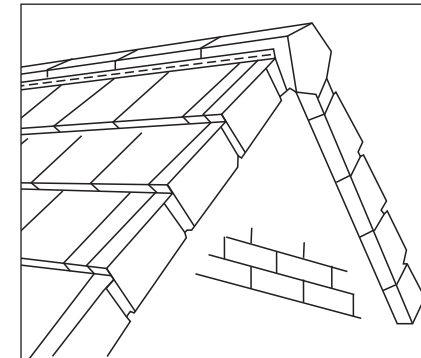


7. Top Course - Ridge Do not fix Ambi-Dry Verge Clips on the top course. The verge at the apex should be completed for opposite roof slopes at the same time. Interlock two Ridge Comb Units and slide until fully closed. Offer up to the Verge Unit on the top courses and slide back over the Verge Unit.



8. Ridge Clips Secure the Ridge Comb Units and Verge Units in the top course with a Ridge Clip and fix to the top tiling batten using a 25mm long galvanised clout nail.

NB. If using Cambrian slates, Ridge Clip should face downwards.



9. Completion The Verge is finished with a Universal Angle or Half Round Block End Ridge.



MONIER JUNE 2008

*Also compatible with Saxon, Rathlin and Valentia. Not suitable for use in the Republic of Ireland.