



MONIER

IMPORTANT

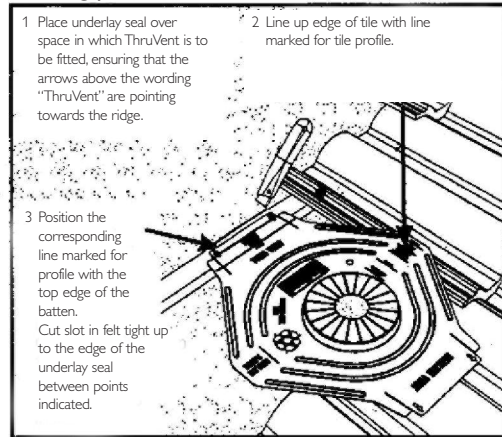
Do not use for hot flue gases

FIXING INSTRUCTIONS

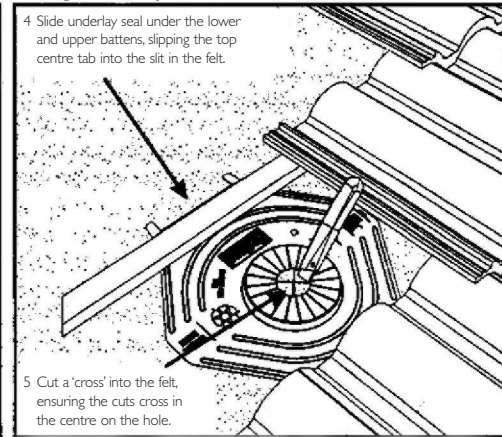
MON466

NOTE: For plain tiles it will be necessary to cut a section of batten to allow the pipe through.

Marking position for ThruVent Tile

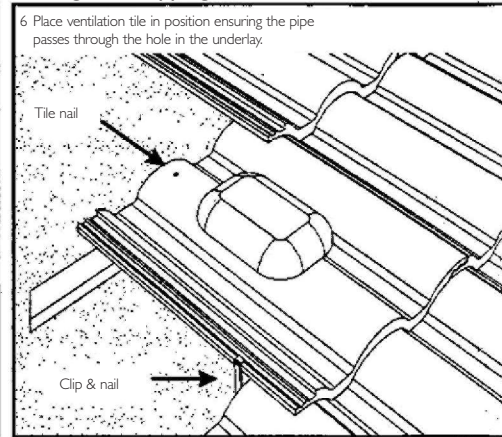


Fitting Underlay Seal



NOTE: In the case of rigid sarking or boarding a suitable wood saw must be used to provide a clear path to the roof space.

Nailing and Clipping



If tiles are laid at minimum gauge, there may be some interference with the ThruVent cap and the tile above - in this instance:

1. For **Landmark Slate, Richmond, Saxon, Valentia and Rathlin**, if the tail of the two slates above the ThruVent interferes with the vent cap, use a disk cutter to notch a square out of the tile as follows:
 - For the right slate, cut the left tail up to a maximum depth of 35mm deep x 100mm width (including interlock).
 - For the left slate, cut the right tail up to a maximum depth of 35mm deep x 55mm width (excluding interlock).
2. For **other tiles and slates**, push the tile in the course above the ThruVent up until it clears the cap. Fix in position via a re-drilled nail-hole and by nailing to the batten."