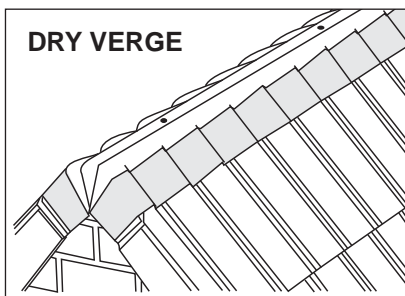
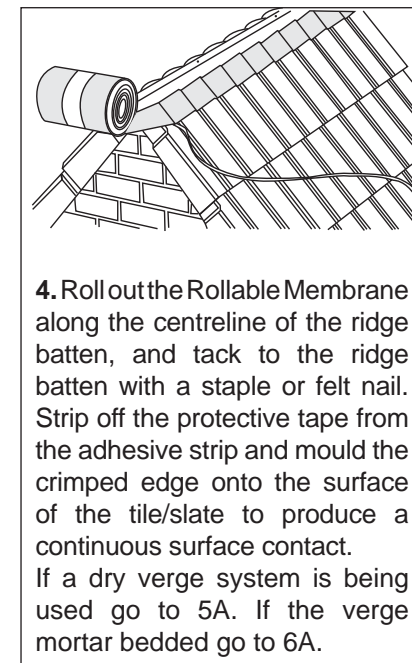
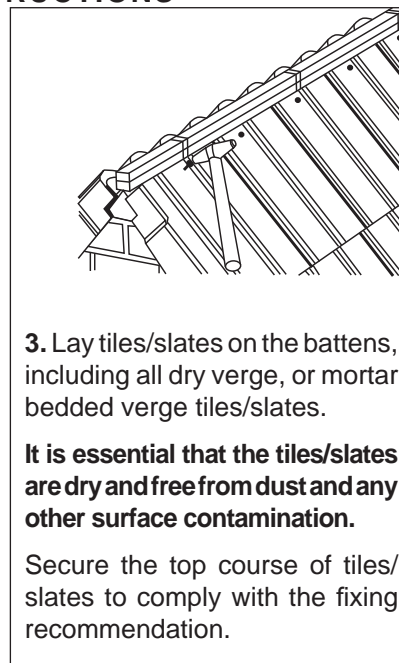
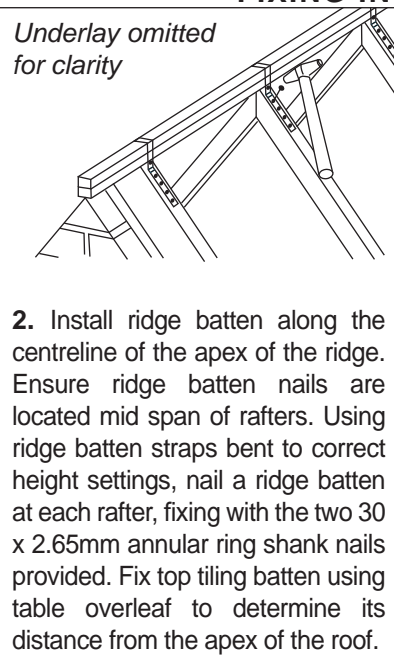
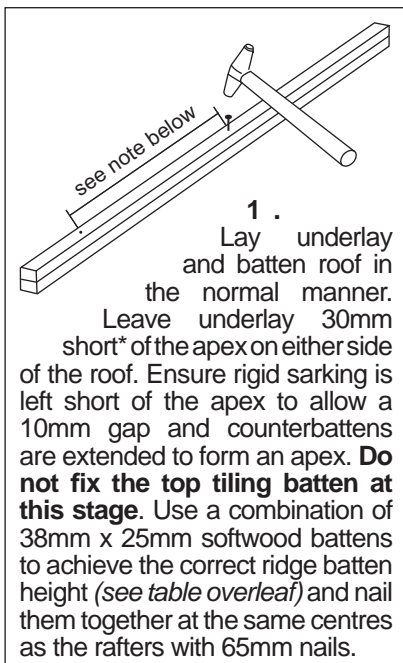


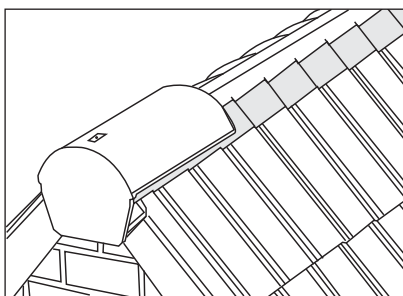
FIXING INSTRUCTIONS

Carton Contents

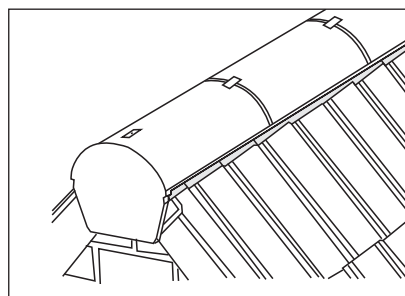
- 5 metres of Rollable Membrane
- 11 Ridge to Ridge Seal Assemblies
- 9 Stainless Steel Batten Straps
- 18 Stainless Steel ARS Batten Nails
30 x 2.65mm
- 2 End Ridge Fixings



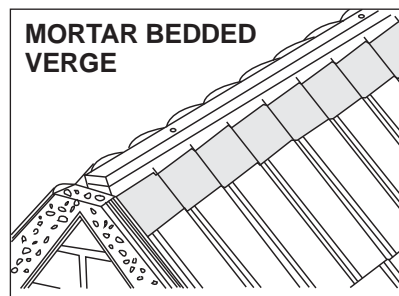
5a. The ridge batten should be finished inline with the end of the tiling battens. The Rollable Membrane should be neatly rolled down the vertical face of the dry verge and tucked back under the verge system.



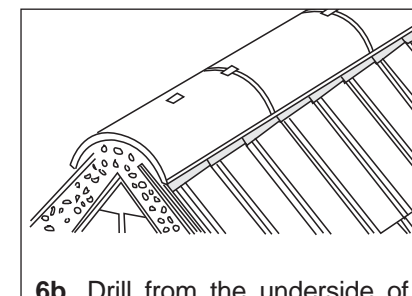
5b. The block-end ridge tile should be installed tight against the dry verge system whilst ensuring that the fixing screw lines up with the centreline of the ridge batten. Using the screw, washer and plate provided, use a Pozidrive no 3 screw bit and tighten the washer until it will not turn between the fingers.



5c. Place a ridge to ridge seal and plate between each pair of adjacent ridge tiles. Ensure that the ridge tiles are butted up tight to the seal with the plate on top of the ridge tiles and that the ridge tiles line up with the centreline of the ridge batten. Screw the pre-installed ridge fixing screw into the centre of the ridge batten, until the washer will not turn between the fingers.



6a. With a mortar bedded ridge end, the batten should be cut 100mm back from the flush face of the mortar. The Rollable Membrane should be cut 50mm back from the face of the mortar.



6b. Drill from the underside of the ridge tile a 6mm dia hole in the dead centre. Install the end of the ridge tile onto the verge mortar bedding using the screw, washer and plate provided, screw using a Pozidrive no 3 screw bit until the washer will not turn between the fingers. Flush off the mortar bedding in the usual manner. The remaining ridge tiles should be installed as per illustration 5c.

* When using a Vapour Permeable Underlay refer to the manufacturer's fixing instructions for positioning of underlay and guidance on counterbattens.

Redland Rapid Vented Ridge - Additional Instructions

Joining Rollable Membrane

When joining two pieces of Rollable Membrane, one must overlap the other by a minimum of 50mm.

Cut Ridge Tiles

The ridge tiles for a distance of 900mm from the ridge end should not be cut. Any cut ridge tile should not be less than 150mm long. If the distance to be made up is less than 150mm, then two ridge tiles should be cut.

Ornamental Ridge

Remove the nail plates from the ridge to ridge seal assemblies and flatten with a hammer. Reassemble the ridge to ridge seals and proceed as per the instructions overleaf.

Abutments

At an abutment such as a chimney, the Rollable Membrane should be turned up the wall by 50mm; the ridge tile should be drilled as per item 6b and screwed onto the ridge batten. The lead saddle should be installed over the ridge tile as per the Lead Sheet Association's recommendations.

Hip Junctions

The procedure for weathering a hip junction is detailed in the fixing instructions that accompany the Rapid Hip system.

L Shape Buildings

At the ridge and hip intersections of an L shape building, the Rollable Membrane should be lapped prior to the lead saddle being installed. The edges of the lead saddle under the ridge and hip tiles should be welted. The end ridge tiles should be mitre cut prior to drilling as shown in 6b.

T Shaped Buildings

At the ridge intersection of a T shape building, or where a dormer intersects a roof slope, the ridge construction should not cross the valley construction. The lead saddle should be installed onto the valley construction prior to the roof tiles being laid. The Rollable Membrane should be rolled out along the head of the T shape with the crimped edge adhered to the surface of the saddle. Where a dry verge system is not being used, the Rollable Membrane on the Leg of the T shape building, or where the dormer ridge meets the valley, should finish 50mm back from the face of the mortar bedding. The end ridge tile should be fixed as per item 6b.

Gas Flues

A Rapid Range Gas Flue Conversion Roll must be used when using a Redland Gas Flue Ridge Terminal.

Top Tile Batten Positions

Tile and Slate Type	Top Tiling Batten Position From Apex
Cambrian, DuoPlain	40mm
Rosemary	Top Batten 35mm 2nd Batten 75mm
Norfolk Pantile	40mm
Landmark Double Pantile, Regent, Grovebury, Double Roman, Renown, 49	45mm
Landmark Slate, Richmond, Saxon, Rathlin, Valentia, Mini Stonewold	50mm
Concrete Plain Tiles	60mm
Stonewold II	80mm

Ridge Batten Height Table

Redland Tile & Slate	Half Round Ridge		Universal Angle Ridge	
	Rafter Pitch (degrees)	Batten Height	Rafter Pitch (degrees)	Batten Height
Cambrian	15.0 - 25.0 over 25.0 - 45.0	50mm 25mm	15.0 - 25.0 over 25.0 - 45.0	50mm 25mm
Mini Stonewold	17.5 - 20.0 over 20.0 - 30.0 over 30.0-52.5	75mm 50mm 25mm	17.5 - 20.0 over 20.0 - 30.0 over 30.0 - 52.5	75mm 50mm 25mm
MKII Stonewold	17.5 - 32.5 over 32.5 - 44.0	50mm 25mm	17.5 - 32.5 over 32.5 - 44.0	50mm 25mm
Richmond, Rathlin & Landmark Slate	22.5 - 37.5 over 37.5 - 50.0	50mm 25mm	22.5-37.5 over 37.5 - 50.0	50mm 25mm
Saxon & Valentia	25.0 - 37.5 over 37.5 - 50.0	50mm 25mm	25.0 - 37.5 over 37.5 - 50.0	50mm 25mm
Plain Tiles	35.0 - 37.5 over 37.5 - 57.5	50mm 25mm	35.0 - 37.5 over 37.5 - 57.5	50mm 25mm
DuoPlain	25.0 - 42.5 over 42.5 - 55.0	50mm 25mm	25.0 - 42.5 over 42.5 - 55.0	50mm 25mm
Rosemary (use Landmark Ridge Tiles)	35.0 - 55.0	25mm	35.0 - 37.0 37.5 - 57.5	50mm 25mm
Renown	17.5 - 20.0 over 20.0 - 42.5 over 42.5 - 55.0	75mm 50mm 25mm		
49	17.5 - 37.5 over 37.5 - 52.5	50mm 25mm		
50 Double Roman	17.5 - 47.5 over 47.5 - 52.5	50mm 25mm		
Norfolk Pantile	17.5 - 40.0 over 40.0 - 47.5	75mm 50mm		
Grovebury & Landmark Double Pantile	15.0 - 32.5 over 32.5 - 55.0	75mm 50mm		
Regent	12.5 - 15.0 over 15.0 - 37.5 over 37.5 - 47.5	100mm 75mm 50mm		