

# Redland Rapid Hip Landmark Slate/Richmond/Saxon/Rathlin/Valentia 9524 Fixing Instructions

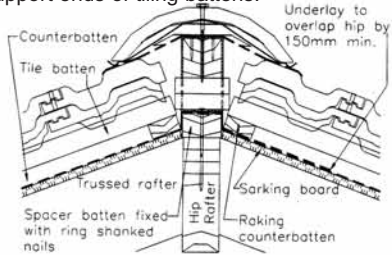
Rapid Hip provides a ventilation capacity of 5000mm<sup>2</sup> per metre run and is suitable for ventilating the batten cavity when used with a Vapour Permeable Underlay. Please refer to the manufacturers fixing instructions for positioning of underlay and guidance on counterbattens.

## Carton contents:

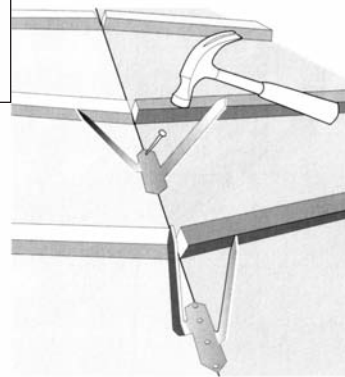
- 5 metres of Rollable Membrane
- 2 Hip Support Trays 2.7mtr
- 20 Polypropylene Spacer Blocks
- 20 Hip Batten Straps
- 24 Hip Head Clips
- 24 Hip Tail Clips
- 24 Woodscrews 100mm Stainless Steel
- 40 Batten Fixing Nails 2.65x30mm
- 40 Rafter Fixing Nails 3.35x60mm

**1**

Underlay and batten the roof with ends of tiling battens supported on the hip rafter. With rigid sarking, finish the board at the side of hip rafter. Fix a 50mm wide spacer batten to hip rafter with 100mm ring shank nails at 300mm centres. Top of spacer batten must be level with or not more than 12mm above top of counterbattens. Lap underlay 150mm over spacer batten. Fix raking counterbattens each side of spacer batten to support ends of tiling battens.

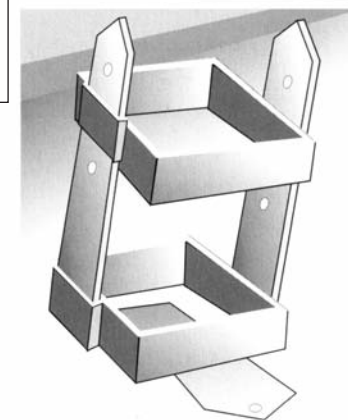


**2**



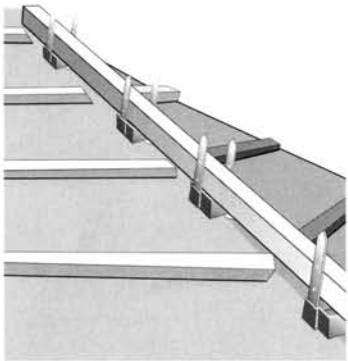
Secure a pair of hip batten straps to hip the rafter using the 3.35mmx60mm stainless steel nails provided. At centres no greater than 550mm, fix the other straps up the length of the hip. Ensure that the first and last straps are fixed no more than 250mm from the fascia or hip/ridge intersections respectively.

**3**



Place two spacer blocks onto each of the straps.

**4**



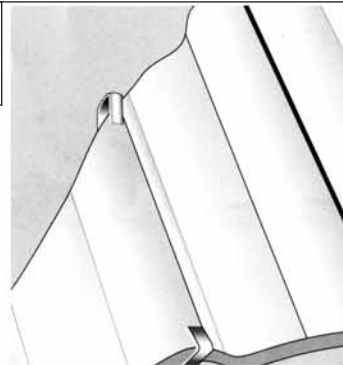
Place a 50mm wide batten onto the blocks. Use a batten height of 38mm for pitches up to 40° or 25mm for pitches above 40°. Where it is necessary to use more than one length of batten, joints should be made over the supporting blocks. Do not fix the batten at this stage.

**5**



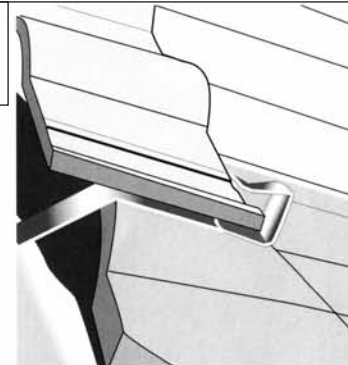
Lay the eaves course of tiles as normal with the eaves overhang equal on both sides of the hip. Neatly cut tiles to the line of the hip batten. The cut edge of the tiles should be not more than 30mm from the hip batten.

**6**



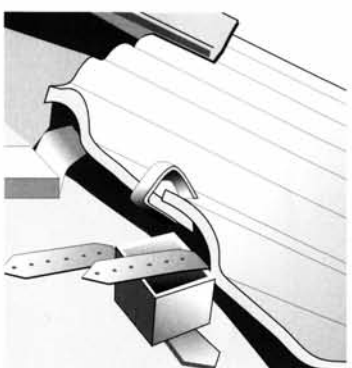
Secure the cut eaves tile on both sides of the hip using two of the 'C' shaped clips on the interlock, one at the head and one at the tail of the tile. Continue tiling in the normal manner, ensuring all cut tiles are within 30mm of hip batten.

**7**



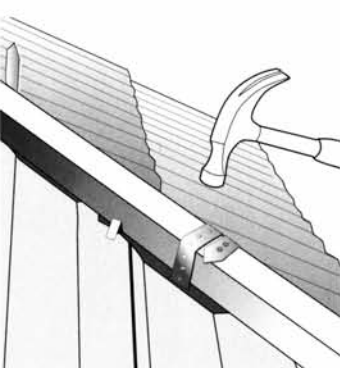
For the second and subsequent courses, all cut tiles should be secured with two clips. The tail clip (larger of the two clips) should be slid up under the interlock of the last full tile and bent down over the head of the tile in the course below. For tiles on the left hand side of the hip, flatten the vertical tag before fixing.

**8**



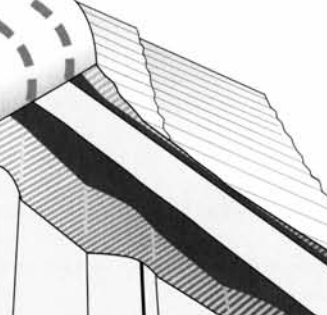
The 'C' clip is then positioned at the head of the cut tile in the region of the interlock. Lay and clip all tiles up the length of the hip.

**9**



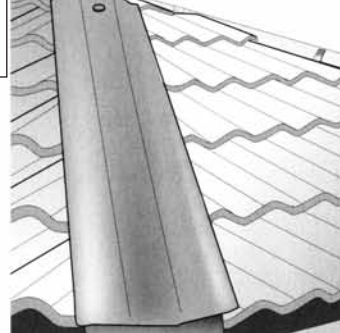
Secure the hip batten in position by wrapping the stainless steel straps around the batten and fix with the 2.65x30mm stainless steel clout nails provided.

**10**



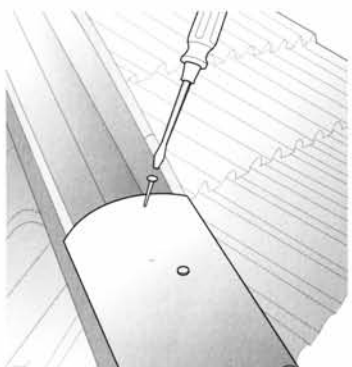
Starting from the eaves, dress the Rollable Membrane centrally over the hip batten ensuring all gaps at the eaves are covered. Remove backing strip from the adhesive section and neatly dress onto the tiles. Adhesion will be improved if the tiles are clean and dry. Continue up the full length of the hip, overlapping each roll by at least 50mm. Continue up and over the ridge batten.

**11**



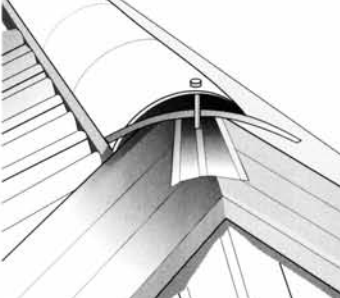
Cut hip tray to suit at the eaves and secure to the hip batten with a single clout nail at its centre point to hold it in place. Where more than one tray is required to complete the hip, overlap on top of the one already fixed by 200mm. Where two hips meet at the ridge, mitre the hip trays together.

**12**



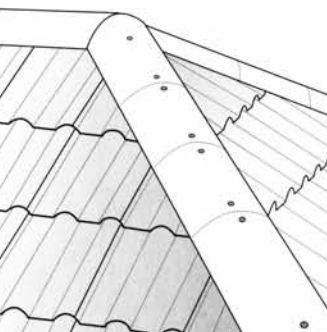
Place a purpose designed block end hip tile tight against the eaves tiles and secure with the screws provided. Continue up the hip ensuring the hip tiles are butted together and that no individual hip tile is less than 300mm long.

**13**



Where two hips meet a dry ridge, the intersection should be weathered using the hip/ridge junction piece (supplied separately). The three mitred tiles must be cut from full-length tiles using the template provided. Re-drill the cut hip and ridge tiles to provide two fixings per tile. (Other forms of junction may be weathered using the flexible membrane as a saddle. Lead will also provide a suitable alternative.)

**14**



Fix the final ridge tile in position, ensuring the screw passes through the hole in the hip/ridge junction piece and the ridge tile traps the junction piece in place. Fix the final hip tiles in position. If necessary, adjust the height of the hip tiles with a screwdriver to give a true line.

**Note:**

1. The number of spacer blocks stated assumes that the top of the hip rafter is flush with the top of the jack rafters. Where this is not so, adjust accordingly.
2. The template for cutting the ridge and hip tile mitres is supplied with the junction piece.

